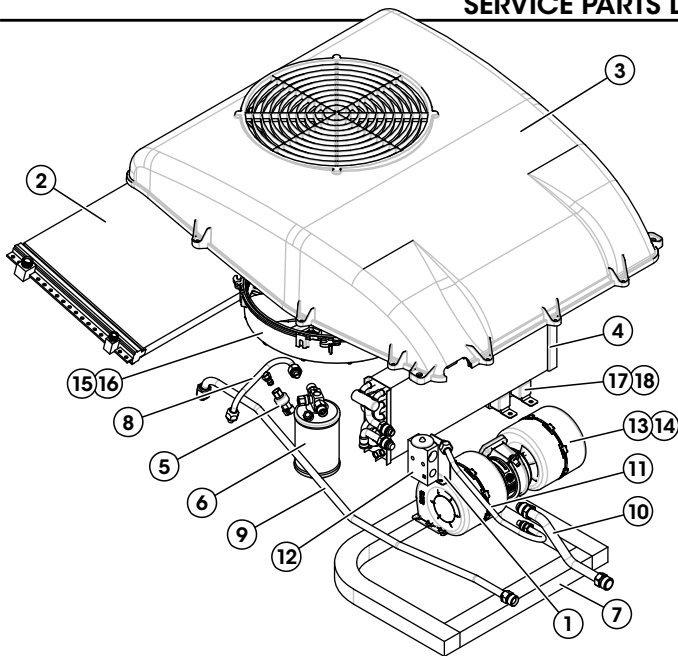




# Air Conditioner Model R-6101

## SERVICE PARTS LIST



ITEM	NOTE	PART NO.	DESCRIPTION
1		RD-3-19432-0P	Bracket - TXV Support
2		RD-4-7337-0P	Condenser - Multi Flow
3		RD-3-19087-0P	Cover - Housing
4		RD-2-7179-0P	Evaporator Assembly
5		RD-5-11990-0P	Pressure Switch - Dual Function
6		RD-5-9419-1P	Receiver/Drier R-134a
7		RD-5-15378-0P	Seal Assembly - Roof
8		RD-4-7341-0P	Tube - #6 Cond To Drier
9		RD-4-7340-0P	Tube - #8 Inlet To Condenser
10		RD-2-7193-0P	Tube - 5/8 Suction

ITEM	NOTE	PART NO.	DESCRIPTION
11		RD-2-7192-0P	Tube - Drier To TXV
12		RD-5-6868-0P	Valve - Expansion R134a
13	B	RD-5-8837-0P	Motor Blower Assembly - Double, 12v
14	C	RD-5-8838-0P	Motor Blower Assembly - Double, 24v
15	B	RD-5-9076-2P	Fan/Motor Assembly - 12" Pusher 12v
16	C	RD-5-9076-3P	Fan/Motor Assembly - 12" Pusher 24v
17	B	RD-5-6690-0P	Relay - 12v with Metripak Shroud
18	C	RD-5-6693-0P	Relay - 24v with Metripak Shroud
	A,B	RD-3-19407-1P	Wire Harness - Condenser/AC, 24v
	A,C	RD-3-19407-0P	Wire Harness - Condenser/AC, 12v

NOTES: A= Not shown B=for unit R-6101-0 (12V) ONLY C=for unit R-6101-1 (24V) ONLY

### RED DOT CORPORATION

495 Andover Park East, Seattle, WA 98188 (206) 575-3840 AMCustomerService@RedDotCorp.com

RD-2-7307-0 (REV - )

FOR REFERENCE ONLY. SUBJECT TO CHANGE WITHOUT NOTICE